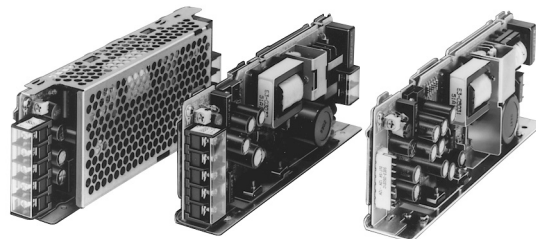


Switching Power Supply S8E3

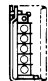
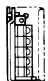
Compact and Economical Power Supply with 3-Point Switching Capacity

- 30- or 50-watt models
- Open-frame and covered types available
- UL and CSA approval
- 3-year warranty



Ordering Information

SWITCHING POWER SUPPLIES

Description				Part number			
Configuration	Input voltage	Power ratings	Output voltage/Current			Front terminals	Top terminals
			V1	V2	V3		
Open-frame type	120 VAC	30 W	5 V/3 A	12 V/1.2 A	-12 V/0.3 A	S8E3-03031A	S8E3-03031B
			5 V/3 A	15 V/1 A	-15 V/0.3 A	S8E3-03032A	S8E3-03032B
		50 W	5 V/5 A	12 V/1.5 A	-12 V/0.5 A	S8E3-05031A	S8E3-05031B
			5 V/5 A	15 V/1.2 A	-15 V/0.5 A	S8E3-05032A	S8E3-05032B
Covered-type	120 VAC	30 W	5 V/3 A	12 V/1.2 A	-12 V/0.3 A	S8E3-03031D	S8E3-03031E
			5 V/3 A	15 V/1 A	-15 V/0.3 A	S8E3-03032D	S8E3-03032E
		50 W	5 V/5 A	12 V/1.5 A	-12 V/0.5 A	S8E3-05031D	S8E3-05031E
			5 V/5 A	15 V/1.2 A	-15 V/0.5 A	S8E3-05032D	S8E3-05032E

MODEL NUMBER LEGEND

S8E3-
1 2 3

1. Power Ratings

030: 30 W
050: 50 W

2. Output Voltage

31: 5 V, 12 V, -12 V
32: 5 V, 15 V, -15 V

3. Configuration

A: Open-frame type, front terminals
B: Open-frame type, top terminals
D: Covered-type, front terminals
E: Covered-type, top terminals

Specifications

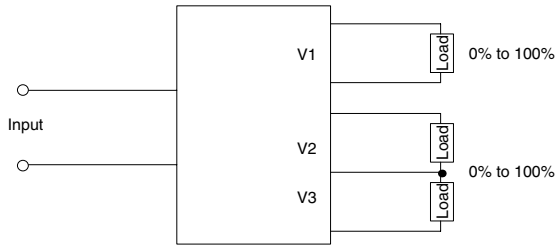
Item	30 W	50 W
Efficiency (typical)	73%	
Input		
Voltage	120 VAC (85 to 132 VAC)	
Frequency	47 to 450 Hz	
Current (See Note 2.)	1.2 A max.	1.6 A max.
Leakage current (See Note 2.)	0.3 mA max. (at 100 VAC)	
Inrush current (See Note 2.)	25 A max. (25°C, cold start, at 100 VAC)	
Noise filter	Yes	
Output (See Note 1.)		
Voltage adjustment range	0% to 5% (V1 only)	
Ripple (See Note 2.)	2% (p-p) max.	
Input variation influence	0.4% max.	
Load variation influence	V1: 0.8% max.; V2, V3: 2.5% max.	
Temperature variation influence	0.05%/°C max. (with rated input and output)	
Rise time	100 ms max.	
Hold time (See Note 2.)	20 ms min. (at 100 VAC)	
Additional function		
Overload protection	V1: inverted drop type, automatic reset; V2, V3: short-circuit protection	
Overvoltage protection	Yes (V1 only)	
Characteristics		
Ambient temperature	Operating	See the derating curve in the <i>Engineering Data</i> section.
Ambient temperature	Storage	-25°C to 65°C (-13°F to 145°F) with no condensation and icing
Dielectric strength	2,000 VAC, 50/60 Hz for 1 min (between all inputs and all outputs/GR terminals)	
Insulation resistance	100 MΩ min. (between all outputs and all inputs/GR terminals at 500 VDC)	
Vibration resistance	10 to 55 Hz, 0.75-mm double amplitude (44.1 m/s ² (4.5G)) for 2 hrs each in X, Y, and Z directions	
Shock resistance	294 m/s ² (30G), 3 times each in ±X, ±Y, and ±Z directions	
Electromagnetic interference	Conforms to FCC class B, VCCI 2nd category, EN55011 Gr1 class B: EN50081-2	
Approved standards	UL1950, CSA C22.2 No. 234	
Output indicator	Yes (green)	
Life expectancy	8 yrs min. (used at 40°C at the rated input with a 50% load)	
Weight (covered-type)	450 g max.	570 g max.

- Note: 1. The specification is defined at the power supply output terminals.
 2. At 100% load for rated input voltage (100 VAC).

Engineering Data

■ MINIMUM CURRENTS FOR V₁, V₂, AND V₃

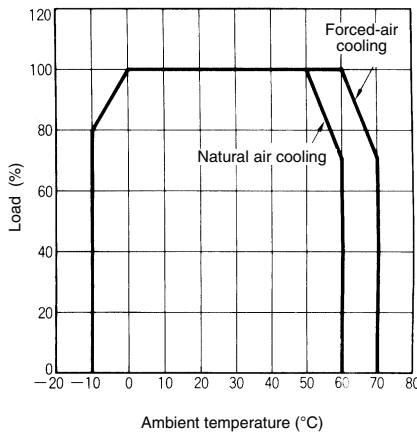
V₁, V₂, and V₃ can be used at 0% loads.



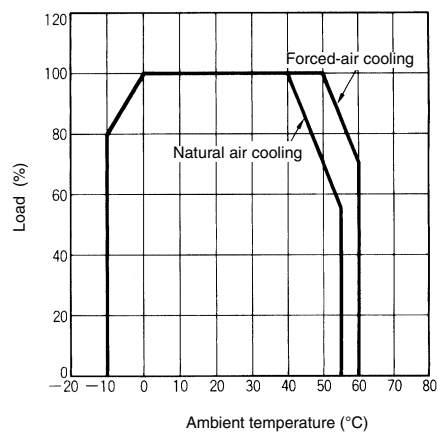
■ DERATING CURVE (STANDARD INSTALLATION)

- Note: 1. The derating curve depends on the mounting position of the Power Supply.
 2. The above ambient temperature curves for forced air-cooling were obtained with an air capacity of 1 m³ per minute.

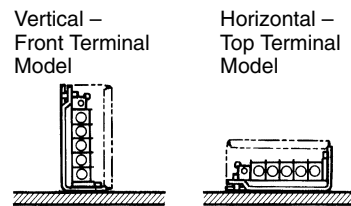
Open-frame Type



Covered-type

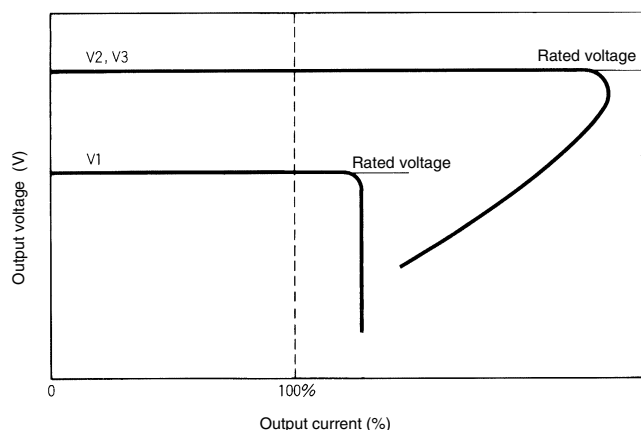


Mounting Position For Standard Installation



OVERLOAD PROTECTION

The S8E3 is provided with an overload protection function that protects the load and the S8E3 from possible damage by overcurrent. The following graph shows the overload detection and reset operation of the S8E3.

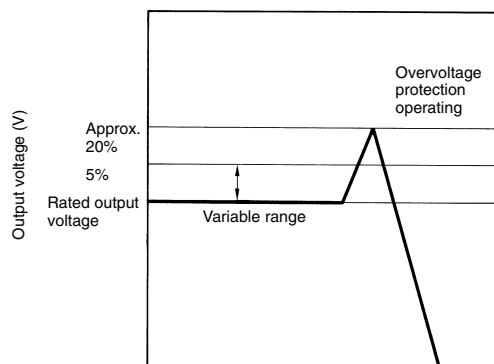


Type	Operating method	Detection	Reset
V1	Inverted drop	105% min. of rated load current	Automatically resets when the output current returns to normal
V2, V3	Short-circuit protection	---	Automatically resets when the output current returns to normal

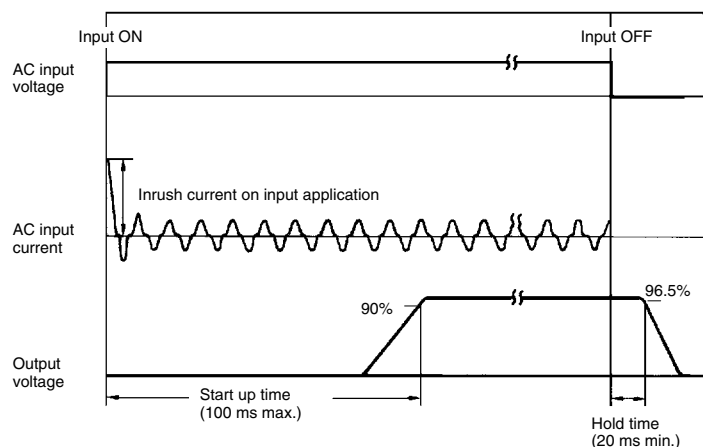
- Note:
1. The overload protection function of output V₁ is triggered when the total output of V₁, V₂, and V₃ exceeds the permissible output capacity of the S8E3 (total overcurrent protection). If outputs V₂ and V₃ are within their rated currents, overload protection for V₁ operates with its output current is 105% or more of the rated output current. Caution is required, however, because operation depends on the output status of outputs V₂ and V₃.
 2. V₂ and V₃ have an independent short-circuit protection function.
 3. Do not continue operating the S8E3 if an output terminal is short-circuited or overloaded, or the S8E3 may incur output voltage fluctuation, internal element deterioration, or damage.

OVERVOLTAGE PROTECTION (V1 OUTPUT ONLY)

The Power Supply is provided with an overvoltage protection function that protects the load and the Power Supply from possible damage by overvoltage. When the output voltage rises above a set value (120% of the rated output voltage), the protection function is triggered, shutting off all of the output voltage. If this occurs, reset the Power Supply by turning it off for 1 minute min. and then turning it on again.



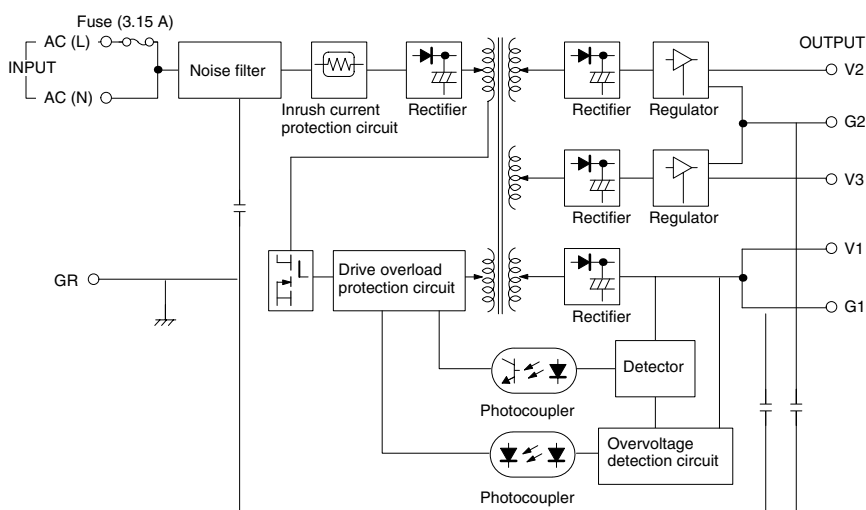
INRUSH CURRENT, START UP TIME, HOLD TIME



Operation

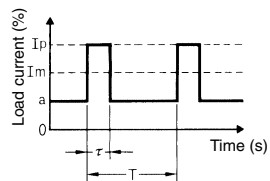
■ BLOCK DIAGRAM

30-W, 50-W Models



■ PEAK LOAD CURRENT (S8E3-05031□ ONLY)

The rated current of the S8E3-05031□ is 1.5 A at 12 V. The peak load current of the S8E3-05031□ is available at 12 V under the following conditions, in which case the waveform of the load current must satisfy the following formula.



$$I_{av} \square I_m = \frac{(I_p - a)\tau}{T} + a \text{ (see note)}$$

- Ip: Peak current (2 A max.) (A)
- Iav: Rated output current (1.5 A) (A)
- Im: Mean load current (A)
- τ: Pulse width of peak current (30 s max.) (S)
- T: Frequency (S)
- a: Continuous load current (A)

Note: When the output current rises above the peak current, the overload protection function is triggered and the output voltage will decrease.

■ SERIES OR PARALLEL OPERATION

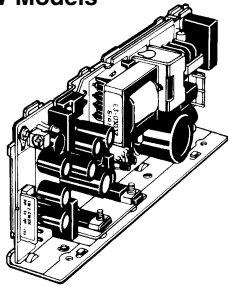
Model S8E3 cannot be used in series or parallel operation.

Dimensions

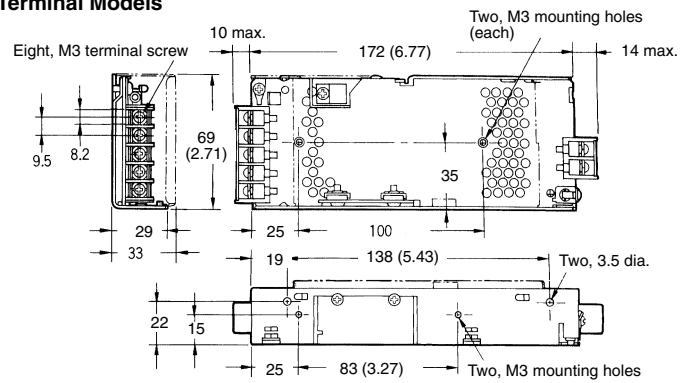
Unit: mm (inch)

SWITCHING POWER SUPPLIES

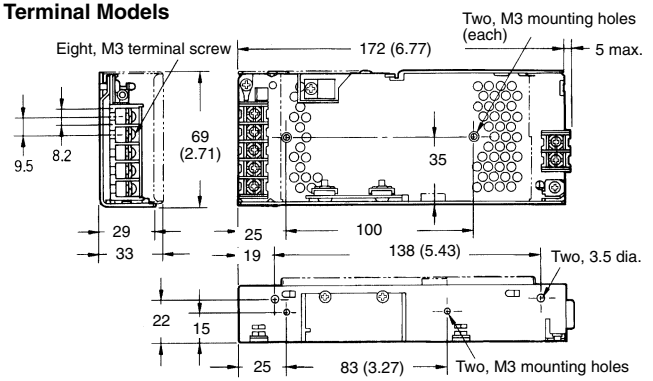
30-W Models



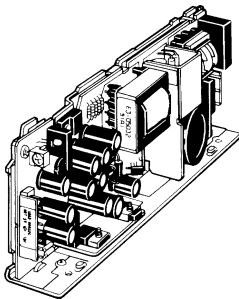
Front Terminal Models



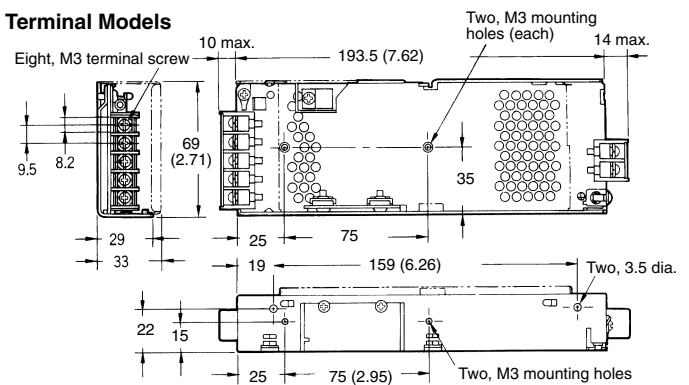
Top Terminal Models



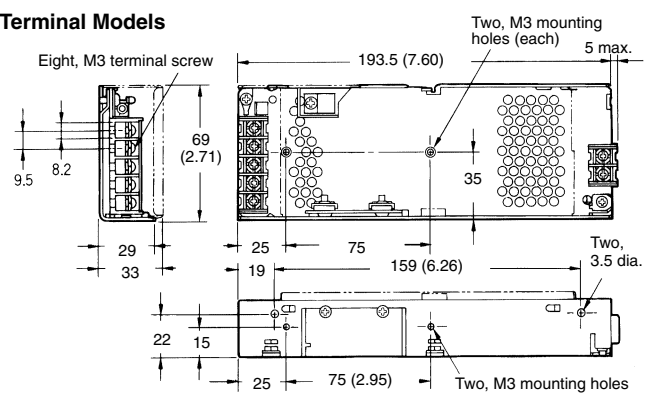
50-W Models



Front Terminal Models

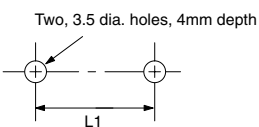


Top Terminal Models

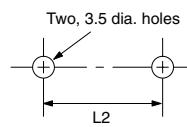


■ MOUNTING HOLES

Side Mounting

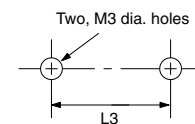


Back Mounting



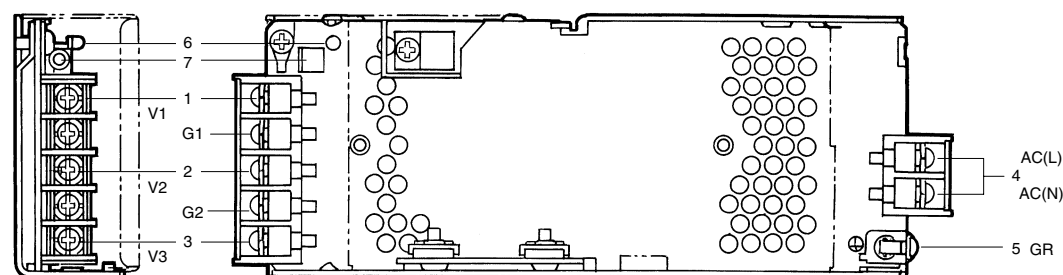
Output	30 W	50 W
L1	100 mm (3.94 in)	75 mm (2.95 in)
L2	83 mm (3.27 in)	75 mm (2.95 in)
L3	138 mm (5.43 in)	159 mm (6.26 in)

Bottom Mounting

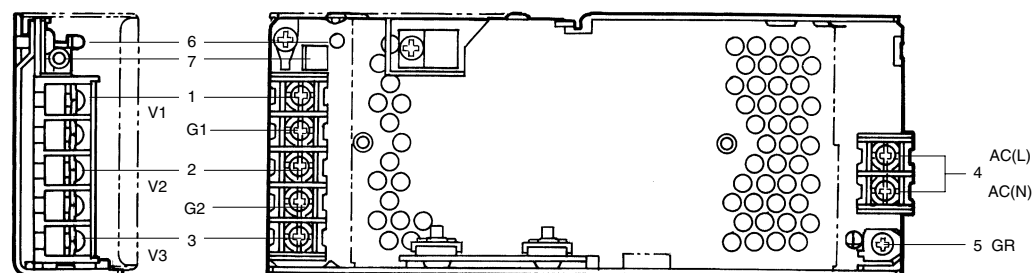


Nomenclature

Front Terminal Models (30-/50-W)



Top Terminal Models (30-/50-W)



1. **V1:** DC Output Terminals
2. **V2:** DC Output Terminals
3. **V3:** DC Output Terminals

Note: Connect the load lines to V1, V2, and V3.

4. **AC Input Terminals:** Connect input lines to these terminals.
5. **Ground Terminals:** Connect ground line to this terminal.
6. **Output Indicator:** Lights while direct current (DC) output is ON.
7. **V.ADJ Adjuster:** It is possible to increase or decrease the output voltage by 5%.

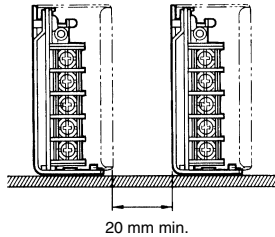
Precautions

■ MOUNTING

- To improve and maintain the reliability of the Power Supply over a long period of time, mount the Power Supply so that air flow takes place around the Power Supply. The Power Supply is designed to dissipate heat through natural air-flow.
- Forced-air cooling is recommended.

Two (or More) Power Supplies Mounted Side-by-Side

When mounting two or more Power Supplies side-by-side, allow at least 20 mm spacing between them, as shown in the following illustration.



Mounting Screws

When tightening the mounting screws into the power supply, do not allow them to penetrate more than 4 mm into the power supply.

Penetration of Metal Filings and Cuttings

If drilling and other work is carried out over the power supply, metal filings, cuttings, and other materials may fall onto the printed circuit boards inside the power supply, leading to internal shorts and damage. If it is necessary to work over top of the power supply, cover the power supply with a sheet or other suitable material to prevent the entry of foreign matter into the power supply. This step is necessary even if the power supply is equipped with a cover. After completing the above work and before supplying power, remove the sheet to avoid interference with appropriate cooling.

ALL DIMENSIONS SHOWN ARE IN MILLIMETERS. To convert millimeters into inches, divide by 25.4

OMRON®

OMRON ELECTRONICS LLC

One Commerce Drive
Schaumburg, IL 60173

847-843-7900

For US technical support or other inquiries:

800-556-6766

OMRON CANADA, INC.

885 Milner Avenue
Toronto, Ontario M1B 5V8

416-286-6465

OMRON ON-LINE

Global - <http://www.omron.com>

USA - <http://www.omron.com/oei>

Canada - <http://www.omron.ca>